

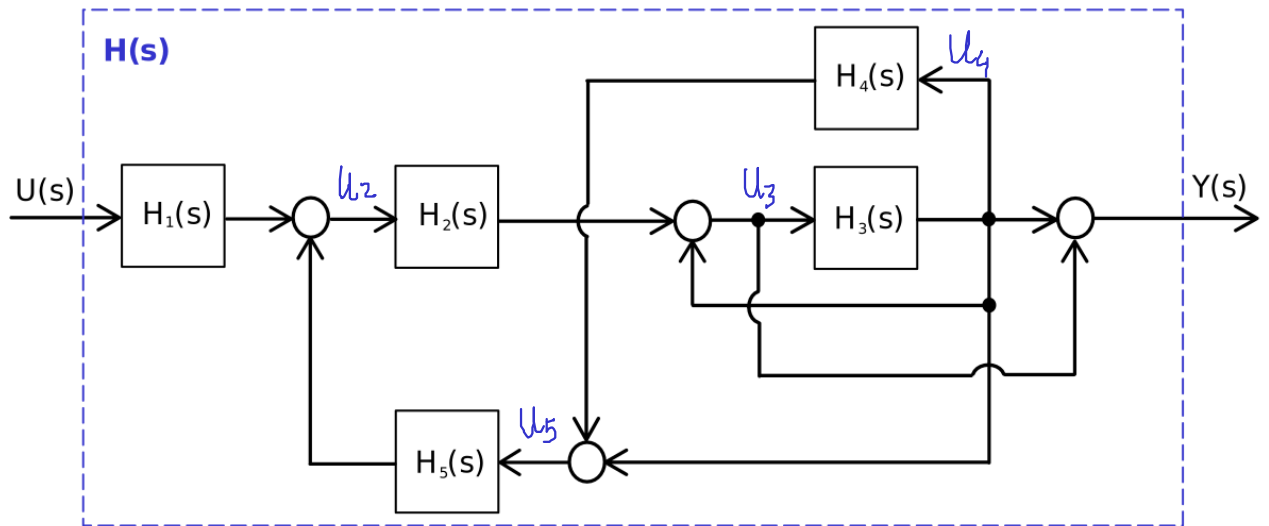
11.03.22

Victor Cheidde Chaim

Probeklausuraufgaben  
WTZZ - SRT

8. Aufgabenblatt

8.4)



$$Y(s) = u_3 + H_3 u_3 = u_3 (1 + H_3) \quad (\text{I})$$

$$u_2 = u_5 H_5 + u H_1 \quad (\text{II})$$

$$(\text{II}) \rightarrow (\text{III}) : u_3 = H_3 u_3 + H_2 (u_5 H_5 + u H_1)$$

$$u_3 = H_3 u_3 + u_2 H_2 \quad (\text{III})$$

$$u_3 = H_3 u_3 + H_2 H_1 u + H_2 H_5 u_5 \quad (\text{VI}) \quad 1 \text{ Punkt}$$

$$u_4 = H_3 u_3 \quad (\text{IV})$$

$$(\text{IV}) \rightarrow (\text{V}) : u_5 = H_3 u_3 + H_4 H_3 u_3$$

$$u_5 = H_3 u_3 + H_4 u_4 \quad (\text{V})$$

$$u_5 = H_3 u_3 (1 + H_4) \quad (\text{VII}) \quad 1 \text{ Punkt}$$

$$u_3 = H_3 u_3 + H_2 H_1 u + H_2 H_5 (H_3 u_3 (1 + H_4))$$

$$u_3 = H_3 u_3 + H_2 H_5 H_3 u_3 + H_3 H_4 H_2 H_5 u_3 + H_2 H_1 u = u_3 H_3 (1 + H_2 H_5 + H_4 H_5 H_2) + H_2 H_1 u$$

$$u_3 (1 - H_3 (1 + H_2 H_5 + H_4 H_5 H_2)) = u H_2 H_1$$

$$u_3 = \frac{u H_2 H_1}{1 - H_3 (1 + H_2 H_5 + H_4 H_5 H_2)} \quad (\text{VIII}) \quad 1 \text{ Punkt}$$

$$(\text{VIII}) \rightarrow (\text{I}) : Y(s) = \frac{u H_2 H_1 (1 + H_3)}{1 - H_3 (1 + H_2 H_5 + H_4 H_5 H_2)}$$

$$H(s) = \frac{Y(s)}{U(s)} = \frac{H_2 H_1 (1 + H_3)}{1 - H_3 (1 + H_2 H_5 + H_4 H_5 H_2)}$$

2 Punkte

